

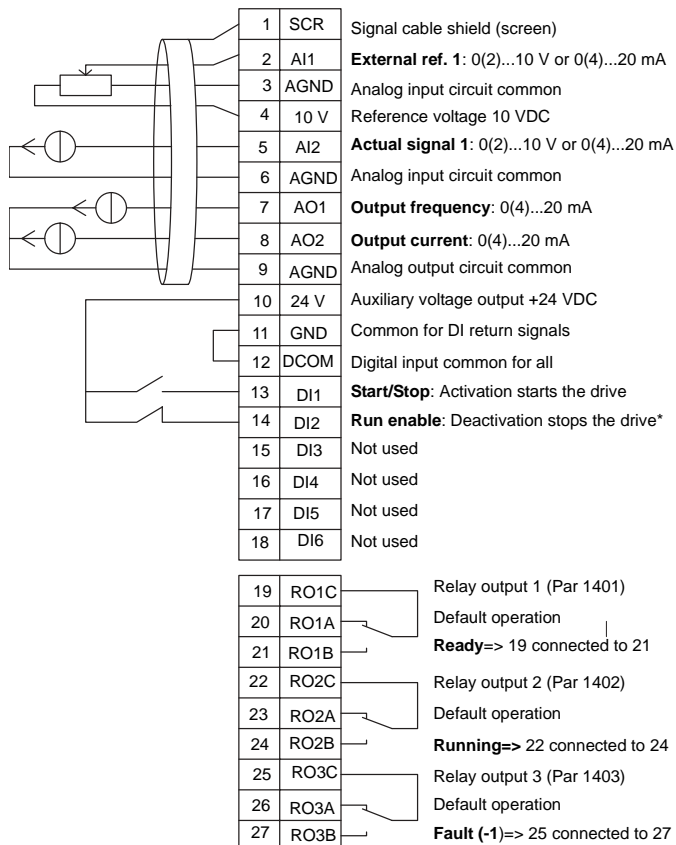
13. E-bypass (USA only)

This application macro is intended to be used with an Electronic Bypass device which can be used to bypass the frequency converter and connect the motor direct on-line.

When using a direct speed reference in AUTO mode, the speed reference must be connected to analog input 1 (AI1) and the START command is given with digital input 1 (DI1). In HAND/OFF mode, the speed reference and START command are given through the control panel.

If process PI(D) is used, the feedback signal must be connected to analog input 2 (AI2). Setpoint is set from the control panel as default but it also can be changed to analog input 1. Process PI(D) must be commissioned and adjusted with parameters (Group 40) or using the PID control assistant (recommended).

E-bypass



*Disable/enable with parameter 1601

Note! Drive starts only if possible protection functions (Run enable or Start enable 1 and 2) are activated from I/O or disabled with parameters.