

ABB component drives

ACS150, 0.37 to 4 kW / 0.5 to 5 hp

Technical catalogue





ABB component drives

The ABB component drives are designed for machine building. These drives are components that are bought together with other components from a logistical distributor. The drive are stocked, and the number of options and variants is optimized for logistical distribution.

Highlights

- FlashDrop
- Integrated interface
- Integrated potentiometer
- Inbuilt EMC filter
- Inbuilt brake chopper
- Flexible installation
- Coated boards

Applications

- Fans
- Pumps
- Gate control
- Material handling
- Conveyors

Features	Benefits	Notes
FlashDrop	Faster and easier drive set up and commissioning for volume manufacturing.	New fast, safe and trouble free parametrization method without electricity. Patented.
Integrated interface	Simple drive with comfortable and robust interface.	Integrated control panel with clear LCD display, backlight and buttons.
Integrated potentiometer	Intuitive speed setting.	Integrated potentiometer. Settings shown on the control panel.
Inbuilt EMC filter	No extra space, parts, time or cost required.	2 nd environment filter complying with IEC 61800-3 as standard.
Inbuilt brake chopper	Reduced cost, saved space and simple wiring.	100% braking capability.
Flexible installation	Optimum layout and efficient cabinet space usage.	Screw, DIN-rail, sideways and side-by-side mounting. Unified height and depth.
Coated boards	Longer lifetime and reduced service.	Protection against moisture and hostile particles as standard.

Technical specification



Mains connection

Voltage and power range	1-phase, 200 to 240 V \pm 10% 0.37 to 2.2 kW (0.5 to 3 hp) 3-phase, 200 to 240 V \pm 10% 0.37 to 2.2 kW (0.5 to 3 hp) 3-phase, 380 to 480 V \pm 10% 0.37 to 4 kW (0.5 to 5 hp)
Frequency	48 to 63 Hz
Power factor	0.98

Motor connection

Voltage	3-phase, from 0 to U_{supply}
Frequency	0 to 500 Hz
Continuous loading capability (constant torque at a max. ambient temperature 40°C)	Rated output current I_{2N}
Overload capability (at a max. ambient temperature of 40°C)	At heavy duty use $1.5 \times I_{2N}$ for 1 minute every 10 minutes At start $1.8 \times I_{2N}$ for 2 s
Switching frequency	
Default	4 kHz
Selectable	4 to 16 kHz with 4 kHz steps
Acceleration time	0.1 to 1800 s
Deceleration time	0.1 to 1800 s
Braking	Inbuilt brake chopper as standard

Environmental limits

Ambient temperature	-10 to 40°C (14 to 104F), no frost allowed, 50°C (122F) with 10% derating
Altitude	
Output current	Rated current available at 0 to 1000 m (0 to 3281 ft) reduced by 1% per 100 m (328 ft) over 1000 to 2000 m (3281 to 6562 ft)
Relative humidity	Lower than 95% (without condensation)
Protection class	IP 20 / Optional NEMA 1 enclosure
Enclosure colour	NCS 1502-Y, RAL 9002, PMS 420 C
Contamination levels	IEC721-3-3
Transportation	No conductive dust allowed Class 1C2 (chemical gases) Class 1S2 (solid particles)
Storage	Class 2C2 (chemical gases) Class 2S2 (solid particles)
Operation	Class 3C2 (chemical gases) Class 3S2 (solid particles)

Chokes

AC input chokes	External option. For reducing THD in partial loads and to comply with EN61000-3-2.
AC output chokes	External option. To achieve longer motor cables.

Programmable control connections

One analog input	
Voltage signal	0 (2) to 10 V, $R_{in} > 312 \text{ k}\Omega$
Current signal	0 (4) to 20 mA, $R_{in} = 100 \Omega$
Resolution	0.1 %
Accuracy	\pm 1%
Auxiliary voltage	24 V DC \pm 10%, max. 200 mA
Five digital inputs	12 to 24 V DC with internal or external supply, PNP and NPN, pulse train 0 to 10 kHz.
Input impedance	2.4 k Ω
One relay output	
Type	NO + NC
Maximum switching voltage	250 V AC/30 V DC
Maximum switching current	0.5 A/30 V DC; 5 A/230 V AC
Maximum continuous current	2 A rms

Product compliance

Low voltage Directive 73/23/EEC with supplements
Machinery Directive 98/37/EC
EMC Directive 89/336/EEC with supplements
Quality assurance system ISO 9001
Environmental system ISO 14001
UL, cUL, CE, C-Tick and GOST R approvals

EMC according to EN61800-3

2nd environment filter, unrestricted distribution, C3 with 30 m (98 ft) cable, inbuilt as standard.

EMC standards in general

EN 61800-3/A11 (2000), product standard	EN 61800-3 (2004), product standard	EN 55011, product family standard for industrial, scientific and medical (ISM) equipment
1 st environment, unrestricted distribution	Category C1	Group 1 Class B
1 st environment, restricted distribution	Category C2	Group 1 Class A
2 nd environment, unrestricted distribution	Category C3	Group 2 Class A
2 nd environment, restricted distribution	Category C4	Not applicable

Ratings, types, voltages and construction



Type code

In column 4 on the right is the unique reference number that clearly identifies your drive by power rating and frame size. Once you have selected the type code, the frame size (column 5) can be used to determine the drives dimensions, shown below.

Voltages

The ACS150 is available in two voltage ranges:

2 = 200 - 240 V

4 = 380 - 480 V

Insert either "2" or "4", depending on your chosen voltage, into the type code shown on the right.

Construction

"01X" and "03X" within the type code varies depending on the drive phase and EMC filtering. Choose below the one you need.

01 = 1-phase

03 = 3-phase

E = EMC filter connected, 50 Hz frequency

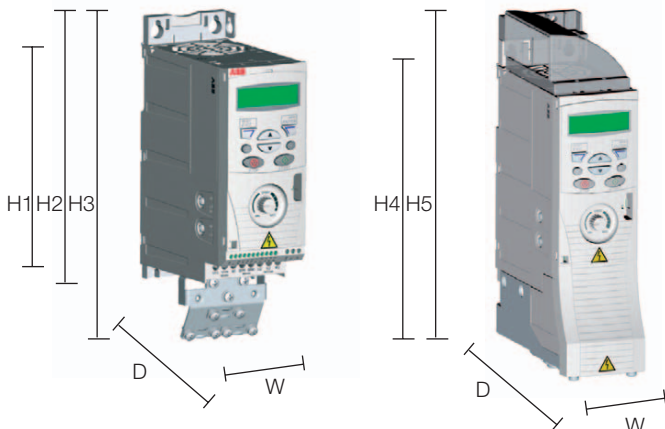
U = EMC filter disconnected, 60 Hz frequency

(In case the filter is required it can easily be connected.)

Dimensions

Cabinet-mounted drives (UL open)

Wall-mounted drives (NEMA 1)



Ratings			Type code	Frame size
P _N kW	P _N hp	I _{2N} A		
1-phase supply voltage 200 - 240 V units				
0.37	0.5	2.4	ACS150-01X-02A4-2	R0
0.75	1	4.7	ACS150-01X-04A7-2	R1
1.1	1.5	6.7	ACS150-01X-06A7-2	R1
1.5	2	7.5	ACS150-01X-07A5-2	R2
2.2	3	9.8	ACS150-01X-09A8-2	R2
3-phase supply voltage 200 - 240 V units				
0.37	0.5	2.4	ACS150-03X-02A4-2	R0
0.55	0.75	3.5	ACS150-03X-03A5-2	R0
0.75	1	4.7	ACS150-03X-04A7-2	R1
1.1	1.5	6.7	ACS150-03X-06A7-2	R1
1.5	2	7.5	ACS150-03X-07A5-2	R1
2.2	3	9.8	ACS150-03X-09A8-2	R2
3-phase supply voltage 380 - 480 V units				
0.37	0.5	1.2	ACS150-03X-01A2-4	R0
0.55	0.75	1.9	ACS150-03X-01A9-4	R0
0.75	1	2.4	ACS150-03X-02A4-4	R1
1.1	1.5	3.3	ACS150-03X-03A3-4	R1
1.5	2	4.1	ACS150-03X-04A1-4	R1
2.2	3	5.6	ACS150-03X-05A6-4	R1
3	4	7.3	ACS150-03X-07A3-4	R1
4	5	8.8	ACS150-03X-08A8-4	R1

X within the type code stands for E or U.

Frame size	IP 20 UL open						NEMA 1				
	H1 mm	H2 mm	H3 mm	W mm	D mm	Weight kg	H4 mm	H5 mm	W mm	D mm	Weight kg
R0	169	202	239	70	142	1.1	257	280	70	142	1.5
R1	169	202	239	70	142	1.3	257	280	70	142	1.7
R2	169	202	239	105	142	1.5	257	282	105	142	1.9

H1 = Height without fastenings and clamping plate.

H2 = Height with fastenings but without clamping plate.

H3 = Height with fastenings and clamping plate.

H4 = Height with fastenings and NEMA 1 connection box.

H5 = Height with fastenings, NEMA 1 connection box and hood.

W = Width

D = Depth

Options



A separate order line and type code is required for any of these options.

FlashDrop

FlashDrop is a powerful palm sized tool for fast and easy parameter selecting and setting. It gives the possibility to hide selected parameters to protect the machine. Only the parameters needed in the application are shown. The tool can copy parameters between two drives or between a PC and a drive. All the above can be done without a power connection to the drive – in fact, it is not even necessary to unpack the drive.

DrivePM

DrivePM (Drive parameter manager) is a tool to create, edit and copy parameter sets for FlashDrop. For each parameter/group the user has a possibility to hide it, which means that the drive user does not see the parameter/group at all.

DrivePM requirements

- Windows 2000/XP
- Free serial port from a PC

FlashDrop tool includes

- FlashDrop
- DrivePM software on a CD-rom
- User's manual in pdf-format on the previous CD-rom
- Cable for connection between the PC and FlashDrop
- Battery charger



Brake resistors

The brake resistor is selected using the respective table. For more information about the selection of brake resistors, see the ACS150 User's Manual.

The ACS150 is delivered with an integrated brake chopper as standard. No additional space or installation time is needed.

Selection table

Type code	Frame size	R _{min} ohm	R _{max} ohm	P _{BRmax}	
				kW	hp
1-phase supply voltage 200 - 240 V units					
ACS150-01X-02A4-1	R0	70	390	0.37	0.5
ACS150-01X-04A7-1	R1	40	200	0.75	1
ACS150-01X-06A7-1	R1	40	130	1.1	1.5
ACS150-01X-07A5-1	R2	30	100	1.5	2
ACS150-01X-09A8-1	R2	30	70	2.2	3
3-phase supply voltage 200 - 240 V units					
ACS150-03X-02A4-2	R0	70	390	0.37	0.5
ACS150-03X-03A5-2	R0	70	260	0.55	0.75
ACS150-03X-04A7-2	R1	40	200	0.75	1
ACS150-03X-06A7-2	R1	40	130	1.1	1.5
ACS150-03X-07A5-2	R1	30	100	1.5	2
ACS150-03X-09A8-2	R2	30	70	2.2	3
3-phase supply voltage 380 - 480 V units					
ACS150-03X-01A2-4	R0	200	1180	0.37	0.5
ACS150-03X-01A9-4	R0	175	800	0.55	0.75
ACS150-03X-02A4-4	R1	165	590	0.75	1
ACS150-03X-03A3-4	R1	150	400	1.1	1.5
ACS150-03X-04A1-4	R1	130	300	1.5	2
ACS150-03X-05A6-4	R1	100	200	2.2	3
ACS150-03X-07A3-4	R1	70	150	3	4
ACS150-03X-08A8-4	R1	70	110	4	5

X within the type code stands for E or U.

Input and output chokes

For input and output chokes, please contact your nearest ABB drives channel partner or local ABB office.

Protection class NEMA 1

The NEMA 1 kit includes a connection box for finger protection, conduit tube installation, and a hood for protection against dirt and dust. Ordering with a separate MRP code number.

Technical data



Cooling

The ACS150 is fitted with cooling fans as standard. The cooling air must be free from corrosive substances and must not be above the maximum ambient temperature of 40°C (50°C with derating). For more specific limits see the Technical specification - Environmental limits in this catalogue.

Cooling air flow

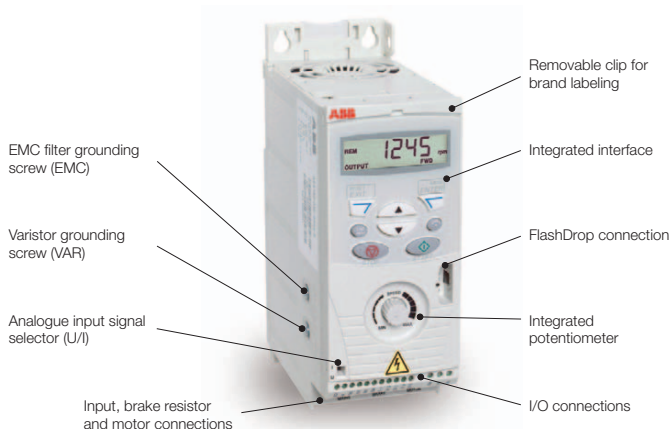
Type code	Frame size	Heat dissipation		Air flow	
		w	BTU/Hr	m ³ /h	ft ³ /min
1-phase supply voltage 200 - 240 V units					
ACS150-01X-02A4-2	R0	25	85	-*)	-*)
ACS150-01X-04A7-2	R1	46	157	24	14
ACS150-01X-06A7-2	R1	71	242	24	14
ACS150-01X-07A5-2	R2	73	249	21	12
ACS150-01X-09A8-2	R2	96	328	21	12
3-phase supply voltage 200 - 240 V units					
ACS150-03X-02A4-2	R0	19	65	-*)	-*)
ACS150-03X-03A5-2	R0	31	106	-*)	-*)
ACS150-03X-04A7-2	R1	38	130	24	14
ACS150-03X-06A7-2	R1	60	205	24	14
ACS150-03X-07A5-2	R1	62	212	21	12
ACS150-03X-09A8-2	R2	83	283	21	12
3-phase supply voltage 380 - 480 V units					
ACS150-03X-01A2-4	R0	11	38	-*)	-*)
ACS150-03X-01A9-4	R0	16	55	-*)	-*)
ACS150-03X-02A4-4	R1	21	72	13	8
ACS150-03X-03A3-4	R1	31	106	13	8
ACS150-03X-04A1-4	R1	40	137	13	8
ACS150-03X-05A6-4	R1	61	208	19	11
ACS150-03X-07A3-4	R1	74	253	24	14
ACS150-03X-08A8-4	R1	94	321	24	14

X within the type code stands for E or U.
*) Frame size R0 with free convection cooling.

Free space requirements

Enclosure type	Space above mm	Space below mm	Space on left/right mm
All frame sizes	75	75	0

Interface and control connections



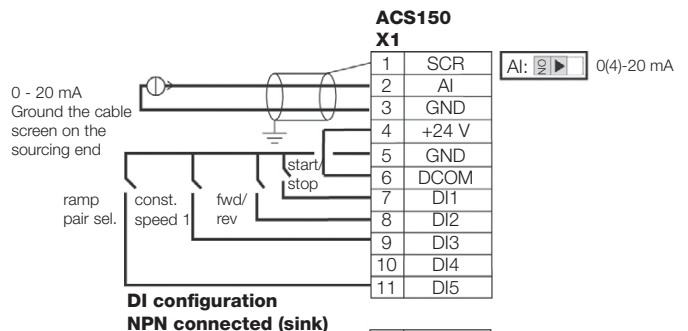
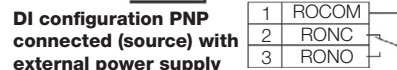
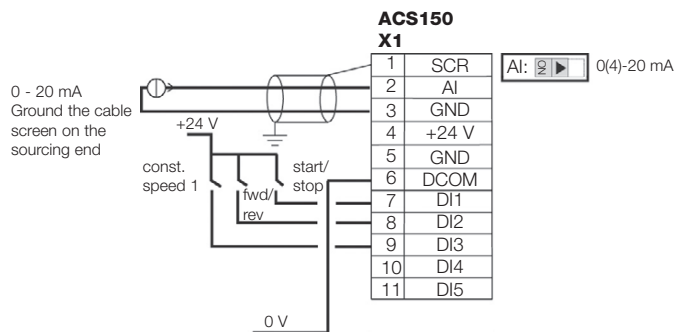
Fuses

Standard fuses can be used with ABB component drives. For input fuse connections see table below.

Selection table

Type code	Frame size	IEC Fuses		UL Fuses	
		A	Fuse type ^{*)}	A	Fuse type ^{*)}
1-phase supply voltage 200 - 240 V units					
ACS150-01X-02A4-2	R0	10	gG	10	UL class T
ACS150-01X-04A7-2	R1	16	gG	20	UL class T
ACS150-01X-06A7-2	R1	20	gG	25	UL class T
ACS150-01X-07A5-2	R2	25	gG	30	UL class T
ACS150-01X-09A8-2	R2	35	gG	35	UL class T
3-phase supply voltage 200 - 240 V units					
ACS150-03X-02A4-2	R0	10	gG	10	UL class T
ACS150-03X-03A5-2	R0	10	gG	10	UL class T
ACS150-03X-04A7-2	R1	10	gG	15	UL class T
ACS150-03X-06A7-2	R1	16	gG	15	UL class T
ACS150-03X-07A5-2	R1	16	gG	15	UL class T
ACS150-03X-09A8-2	R2	16	gG	20	UL class T
3-phase supply voltage 380 - 480 V units					
ACS150-03X-01A2-4	R0	10	gG	10	UL class T
ACS150-03X-01A9-4	R0	10	gG	10	UL class T
ACS150-03X-02A4-4	R1	10	gG	10	UL class T
ACS150-03X-03A3-4	R1	10	gG	10	UL class T
ACS150-03X-04A1-4	R1	16	gG	15	UL class T
ACS150-03X-05A6-4	R1	16	gG	15	UL class T
ACS150-03X-07A3-4	R1	16	gG	20	UL class T
ACS150-03X-08A8-4	R1	20	gG	25	UL class T

X within the type code stands for E or U.
*) According to IEC-60269 standard.



Contact and web information

www.abb.com/motors&drives



ABB's worldwide presence is built on strong local companies working together with the channel partner network. By combining the experience and know-how gained in local and global markets, we ensure that our customers in all industries can gain the full benefit from our products.

For further details about all our low voltage AC drives and services please contact your nearest ABB office or ABB drives channel partner or visit the websites www.abb.com/motors&drives and www.abb.com/drivespartners.

Albania Tel: +355 4 234 368, 363 854 Fax: +355 4 363 854	Colombia (Bogotá) Tel: +57 1 417 8000 Fax: +57 1 413 4086	Italy (Milan) Tel: +39 02 2414 3792 Fax: +39 02 2414 3979	Oman Tel: +968 2456 7410 Fax: +968 2456 7406	Sri Lanka (Colombo) Tel: +94 11 2399304/6 Fax: +94 11 2399303
Algeria Tel: +212 2224 6168 Fax: +212 2224 6171	Croatia (Zagreb) Tel: +385 1 600 8550 Fax: +385 1 619 5111	Ivory Coast Tel: +225 21 35 42 65 Fax: +225 21 35 04 14	Pakistan (Lahore) Tel: +92 42 6315 882-85 Fax: +92 42 6368 565	Sweden (Västerås) Tel: +46 (0)21 32 90 00 Fax: +46 (0)21 14 86 71
Argentina (Valentin Alsina) Tel: +54 (0)114 229 5707 Fax: +54 (0)114 229 5593	Czech Republic (Prague) Tel: +420 234 322 327 Fax: +420 234 322 310	Japan (Tokyo) Tel: +81(0)3 5784 6010 Fax: +81(0)3 5784 6275	Panama Tel: +507 209 5400, 2095408 Fax: +507 209 5401	Switzerland (Zürich) Tel: +41 (0)58 586 0000 Fax: +41 (0)58 586 0603
Australia (Victoria) Tel: +1800 222 435 Tel: +61 3 8544 0000 Fax: +61 3 8544 0004	Denmark (Skovlunde) Tel: +45 44 504 345 Fax: +45 44 504 365	Jordan Tel: +962 6 562 0181 Fax: +962 6 5621369	Peru (Lima) Tel: +51 1 561 0404 Fax: +51 1 561 3040	Syrian Arab Republic Tel: +9626 5620181 ext. 502 Fax: +9626 5621369
Austria (Vienna) Tel: +0800 201 009 Tel: +43 1 60109 0 Fax: +43 1 60109 8312	Ecuador Tel: +593 2 2500 645 Fax: +593 2 2500 650	Kazakhstan Tel: +7 3272 583838 Fax: +7 3272 583839	The Philippines (Metro Manila) Tel: +63 2 821 7777 Fax: +63 2 823 0309, 824 4637	Taiwan (Taipei) Tel: +886 2 2577 6909 Fax: +886 2 2577 9467, 2577 9434
Azerbaijan Tel: +994 12 498 54 75 Fax: +994 12 493 73 56	Egypt Tel: +202 6251630 Fax: +202 6251638	Kenya (Nairobi) Tel: +254 20 828811/13 to 20 Fax: +254 20 828812/21	Poland (Lodz) Tel: +48 42 299 3000 Fax: +48 42 299 3340	Tanzania Tel: +255 51 2136750, 2136751, 2136752 Fax: +255 51 2136749
Bahrain Tel: +973 725 377 Fax: +973 725 332	Estonia (Tallinn) Tel: +372 6801 800 Fax: +372 6801 810	Kuwait Tel: +965 2428626 ext. 124 Fax: +965 2403139	Portugal (Porto Salvo) Tel: +351 21 425 6000 Fax: +351 21 425 6392	Thailand (Bangkok) Tel: +66 (0)2665 1000 Fax: +66 (0)2665 1042
Bangladesh (Dhaka) Tel: +88 02 8856468 Fax: +88 02 8850906	Ethiopia Tel: +251 1 669506, 669507 Fax: +251 1 669511	Latvia (Riga) Tel: +371 7 063 600 Fax: +371 7 063 601	Qatar Tel: +974 444 1789 Fax: +974 444 6189	Tunisia Tel: +216 1 860 366 Fax: +216 1 860 255
Belarus (Minsk) Tel: +375 228 12 40, 228 12 42 Fax: +375 228 12 43	Finland (Helsinki) Tel: +358 10 22 11 Tel: +358 10 222 1999 Fax: +358 10 222 2913	Lithuania (Vilnius) Tel: +370 5 273 8300 Fax: +370 5 273 8333	Romania (Bucharest) Tel: +40 21 310 4377 Fax: +40 21 310 4383	Turkey (Istanbul) Tel: +90 216 528 2200 Fax: +90 216 365 2944
Belgium (Zaventem) Tel: +32 2 718 6313 Fax: +32 2 718 6664	France (Montluel) Tel: +33 (0)4 37 40 40 00 Fax: +33 (0)4 37 40 40 72	Luxembourg (Leudelange) Tel: +352 493 116 Fax: +352 492 859	Russia (Moscow) Tel: +7 095 960 22 00 Fax: +7 095 913 96 96/95	Uganda Tel: +256 41 348 800 Fax: +256 41 348 799
Bolivia (La Paz) Tel: +591 2 278 8181 Fax: +591 2 278 8184	Germany (Ladenburg) Tel: +01805 123 580 Tel: +49 (0)6203 717 717 Fax: +49 (0)6203 717 600	Macedonia (Skopje) Tel: +389 2 118 010 Fax: +389 2 118 774	Saudi-Arabia (Al Khobar) Tel: +966 (0)3 882 9394 Fax: +966 (0)3 882 4603	Ukraine (Kiev) Tel: +380 44 495 22 11 Fax: +380 44 495 22 10
Bosnia Herzegovina (Tuzla) Tel: +387 35 246 020 Fax: +387 35 255 098	Greece (Athens) Tel: +30 210 289 1900 Fax: +30 210 289 1999	Malaysia (Kuala Lumpur) Tel: +603 5628 4888 Fax: +603 5635 8200	Senegal Tel: +221 832 1242, 832 3466 Fax: +221 832 2057, 832 1239	The United Arab Emirates (Dubai) Tel: +971 4 3147500, 3401777 Fax: +971 4 3401771, 3401539
Brazil (Sao Paulo) Tel: 0800 014 9111 Tel: +55 11 3688 9282 Fax: +55 11 3688 9421	Hungary (Budapest) Tel: +36 1 443 2224 Fax: +36 1 443 2144	Mauritius Tel: +230 208 7644, 211 8624 Fax: +230 211 4077	Serbia and Montenegro (Belgrade) Tel: +381 11 324 4341 Fax: +381 11 324 1623	United Kingdom (Manchester, Didsbury) Tel: +44 1925 741 111 Fax: +44 1925 741 693
Bulgaria (Sofia) Tel: +359 2 981 4533 Fax: +359 2 980 0846	India (Bangalore) Tel: +91 80 837 0416 Fax: +91 80 839 9173	Mexico (Mexico City) Tel: +52 (55) 5328 1400 Fax: +52 (55) 5328 7467	Singapore Tel: +65 6776 5711 Fax: +65 6778 0222	Uruguay (Montevideo) Tel: +598 2 707 7300 Fax: +598 2 707 7466
Cameroon Tel: +237 42 23 66 Fax: +237 42 23 90	Indonesia (Jakarta) Tel: +62 21 590 9955 Fax: +62 21 590 0115, 590 0116	Morocco Tel: +212 2224 6168 Fax: +212 2224 6171	Slovakia (Banska Bystrica) Tel: +421 48 410 2324 Fax: +421 48 410 2325	USA (New Berlin) Tel: +1 800 752 0696 Tel: +1 262 785 3200 Fax: +1 262 785 0397
Canada (Montreal) Tel: +1 514 215 3006 Fax: +1 514 332 0609	Iran (Tehran) Tel: +98 21 2222 5120 Fax: +98 21 2222 5157	The Netherlands (Rotterdam) Tel: +31 (0)10 407 8362 Fax: +31 (0)10 407 8433	Slovenia (Ljubljana) Tel: +386 1 2445 440 Fax: +386 1 2445 490	Venezuela (Caracas) Tel: +58 212 2031949 Fax: +58 212 237 6270
Chile (Santiago) Tel: +56 2 471 4391 Fax: +56 2 471 4399	Ireland (Dublin) Tel: +353 1 405 7300 Fax: +353 1 405 7312	New Zealand (Auckland) Tel: +64 9 356 2170 Fax: +64 9 357 0019	South Africa (Johannesburg) Tel: +27 11 617 2000 Fax: +27 11 908 2061	Vietnam (Hochiminh) Tel: +84 8 8237 972 Fax: +84 8 8237 970
China (Beijing) Tel: +86 10 5821 7788 Fax: +86 10 5821 7518, 5821 7618	Israel (Haifa) Tel: +972 4 850 2111 Fax: +972 4 850 2112	Nigeria Tel: +234 1 4937 347 Fax: +234 1 4937 329	South Korea (Seoul) Tel: +82 2 528 2794 Fax: +82 2 528 2338	Zimbabwe Tel: +263 4 369 070 Fax: +263 4 369 084
		Norway (Oslo) Tel: +47 03500 Fax: +47 22 872 541 drives@no.abb.com	Spain (Barcelona) Tel: +34 (9)3 728 8700 Fax: +34 (9)3 728 8743	



ABB Oy

Drives

P. O. Box 184

FI - 00381 Helsinki

Finland

Telephone +358 10 22 11

Telefax +358 10 22 23764

Internet <http://www.abb.com/motors&drives>